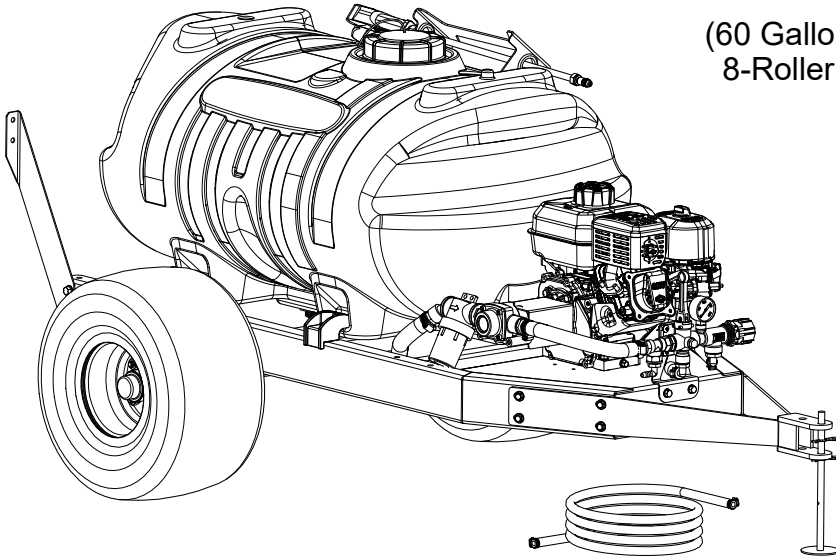


OWNER'S MANUAL

Model: FSTS-60-H4.8-8XL-BLK (5301453-BLK)
Model: FSTS-60-H4.8-8XL-BLU (5301453-BLU)



(60 Gallon Trailer Sprayer w/160cc Honda Engine, 8-Roller Silver Series Pump & Deluxe Handgun, Boom-Ready)



NOTE: Maximum Speed - 10 MPH
 Refer to vehicle's manual for towing instructions

Caution: When fully filled with water, this sprayer will weigh approx. 745 lbs.. Consult the owner's manual for your vehicle to verify that you are within it's load carrying capacity.

General Information

Thank you for purchasing this product. The purpose of this manual is to assist you in operating and maintaining your lawn & garden trailer sprayer.

Technical Specifications

- 160cc Honda Engine w/Gear Reduction
- 8 Roller Pump, Reverse Rotation (Silver Series)
- Pressure Relief Valve
- Deluxe Pistol Grip Handgun W/25' of Hose
- Pneumatic Tires: 18 x 850 x 8
- Maximum Speed - 10 MPH
- Boom-Ready

Assembly Instructions

Most of the sprayer has been assembled at the factory.

- Follow the steps on page 2 to complete assembly of the sprayer.

NOTE:

Add proper oil to the engine crankcase and gasoline to the gas tank. Refer to the engine manual for the correct type and amount.

It is important to test the sprayer with plain water before actual spraying is attempted. This will enable you to check the sprayer for leaks in the plumbing system.

IF YOU SHOULD HAVE A QUESTION OR EXPERIENCE A PROBLEM WITH YOUR AG SPRAY PRODUCT GIVE US A CALL

BAKERSFIELD, CA 877-724-2236	COLUMBUS, NE 800-274-1025	DOTHAN, AL 800-227-4098
FARGO, ND 701-280-2862	HOPKINSVILLE, KY 800-637-7172	MANKATO, MN 507-388-6295
NEWTON, KS 800-394-7662	PASCO, WA 800-634-2026	TEMPE, AZ 877-974-7166

BEFORE YOU CALL, PLEASE HAVE THE FOLLOWING INFORMATION AVAILABLE: SALES RECEIPT & MODEL NUMBER. IN MOST CASES, AN AG SPRAY EMPLOYEE CAN RESOLVE THE PROBLEM OVER THE PHONE



WARNING: To reduce the risk of injury, the user must read and understand the operator's manual before using this product.



WARNING: Cancer and Reproductive Harm
www.P65Warnings.ca.gov

Retain a copy of your receipt for your unit, as it will be required to validate any warranty service
Products are warranted against manufacturer or workmanship defects for one year from date of purchase for home owner usage and 90 days for commercial usage.

For technical assistance, visit our website @ www.agspray.com or call: Toll Free to one of the above phone numbers
 Our Technical Support Representatives will be happy to help you.
 To obtain prompt, efficient service, always remember to give the following information...

- Correct Part Description and/or part number
- Model #/Serial # of your sprayer

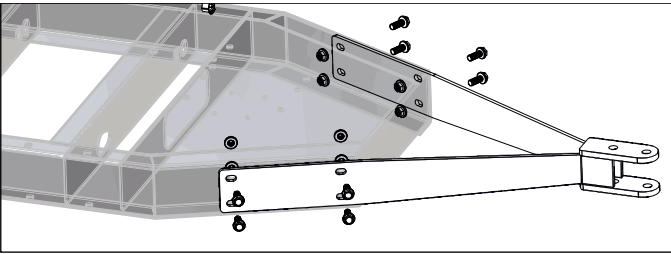
Part descriptions and numbers can be obtained from the illustrated parts list section(s) of this manual.



www.agspray.com

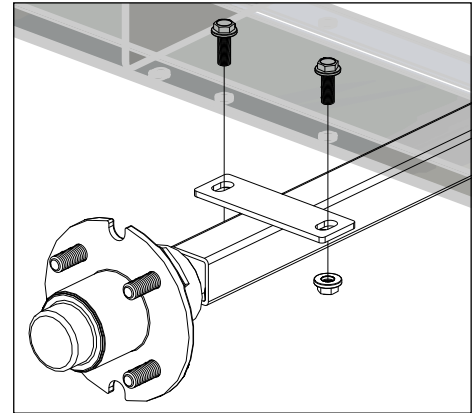
[5194703

(11/18)]



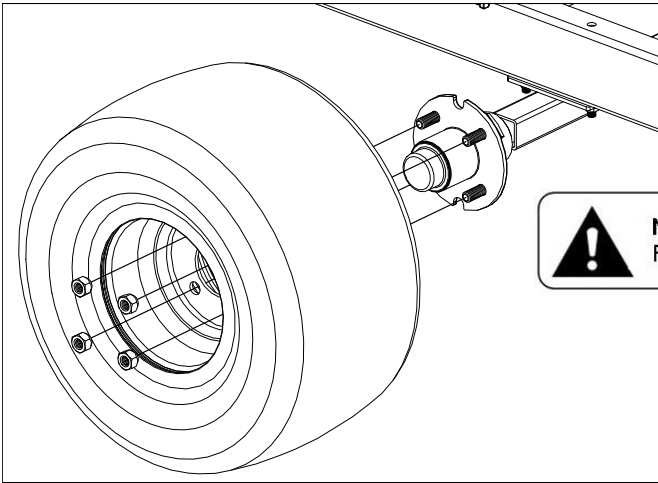
Step 1

Bolt the tongue to the skid, using (8) 3/8" x 1" hex flange lockscrews and 3/8"-16 flange locknuts..



Step 2

Attach the axle to the trailer frame with (4) bolts & nuts as shown.

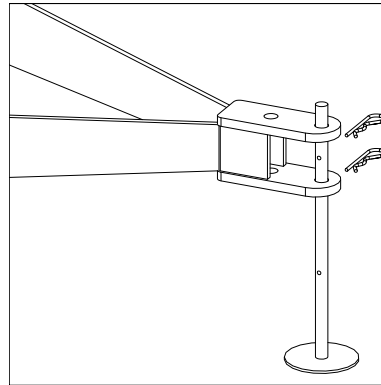


Step 3

Slide a wheel onto the hub of the axle and use the wheel nuts to hold the wheel in place. Repeat for other side.

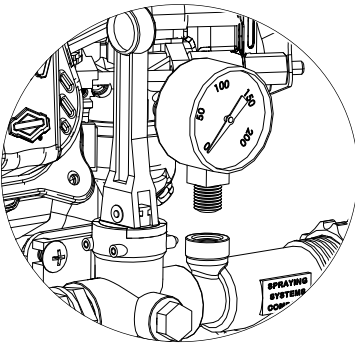


NOTE: Maximum Speed - 10 MPH
Refer to vehicle's manual for towing instructions



Step 4

Insert the stand weldment in the hitch and retain with hitch pins.



Step 5

Install the pressure gauge. Hand tighten securely.
**** DO NOT OVERTIGHTEN ****

Step 6

If attaching a boom, attach the boom mounts and feeder hose.

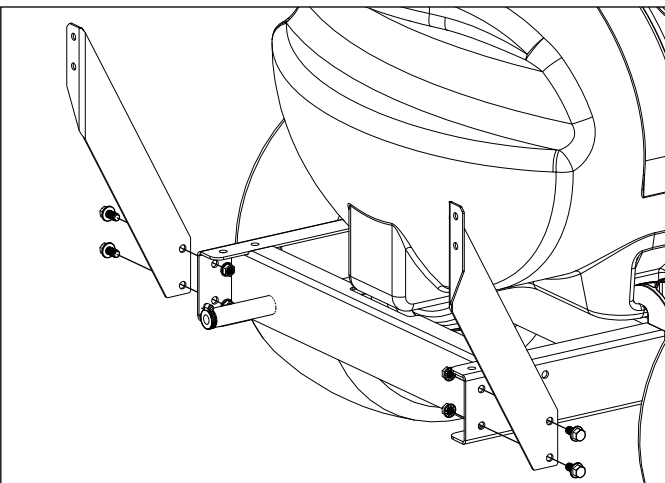
Left Hand (LH) and Right Hand (RH) sides of the sprayer are determined as if you are standing behind the sprayer, looking at it (facing forward)

Mount the (LH) and (RH) boom mounts to the back of the frame (If not already done).

Locate both the (LH) & (RH) boom mounts, (4) 3/8"-16 x 3/4" bolt and (4) 3/8"-16 flanged whiz nuts.

Attach the boom mounts to the frame. Make sure the brackets are parallel with each other before tightening down the bolts.

Finally, attach the feeder hose to the hose barb on the manifold and the fitting on your boom.

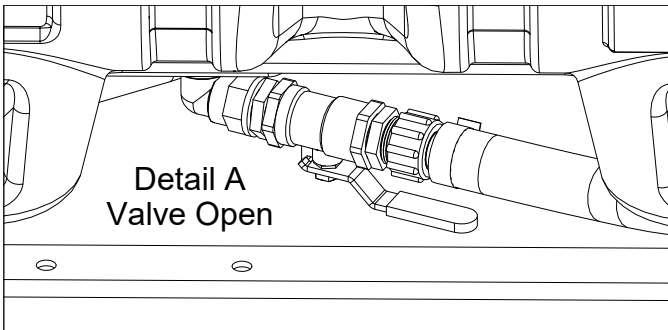


IMPORTANT: Remove tank lid and be sure the tank is clean and free of any foreign material. Rinse tank out of any tank residue before filling with water to test.

NOTE: It is important to test the sprayer with plain water before actual spraying is attempted. This will enable you to check the sprayer for leaks in the plumbing system

Testing the Sprayer

1. Fill the tank about 1/2 full with plain water.
2. Open the brass valve in the suction line (See Detail A) and allow water to flow to the pump. The valve is located at this point to enable the strainer to be taken apart for cleaning, while solution remains in the tank.



CAUTION: Always be sure that water (or solution) has reached the roller pump before starting your sprayer. If the pump is run dry, serious damage to the pump will result. Do not run your sprayer with the boom/handgun line closed AND the bypass line closed. Doing this will damage the pump.

3. It is always best to start the sprayer at little or no pressure. This sprayer is equipped with a spring loaded relief valve. Turn the valve knob out to decrease pressure and in to increase pressure.

The bypass valve is the "pressure control" for the entire plumbing system. The more the valve is open, the lower your line pressure. Almost fully closed provides maximum pressure to your boom and/or handgun. **NEVER run your system with this valve 100% closed.**

4. You may now start the engine following the engine manufacturers instructions. Let the sprayer run at low pressure until water has reached the handgun and all air has been purged from the system.

The pressure should now be increased to 30-125 P.S.I. Operate the sprayer at this increased pressure for 3-5 minutes, thoroughly testing the unit before adding chemicals.

Caution: Care must be taken, being sure the handgun is secured in the operators hand. If this is not done a recoiling action may occur causing damage or personal injury.

Add water to the tank and drive to the starting place for spraying. When you are ready to spray, position booms out for spraying and turn the boom valve to the "on" position. This will start solution spraying from the tips of the boom. The pressure will decrease slightly when the boom is spraying. Adjust the pressure by twisting the gray twist knob on the bypass (pressure relief) valve. Twist 'clockwise' to increase pressure, 'counter-clockwise' to decrease pressure.

Read the operating instructions and initially begin spraying by closing the 'bypass' valve and opening the boom line valve. This will enable the air in the line to be eliminated (purged) through all the tips, while building pressure. When everything tests all right (no leaks and good pressure), add the desired chemicals to the mixture and water combination and start your spraying operation. Adjust the pressure and spray as you did in the testing procedure.

Conditions of weather and terrain must be considered when setting the sprayer. Do not spray on windy days. Protective clothing must be worn in some cases

Be sure to read the chemical label(s) before application!

Information About the Sprayer

In this pumping system, solution is drawn from the tank and forced to a planned source, such as boom nozzles or handgun. The pressure is controlled by opening/closing the valve which recirculates solution back into the tank.

Priming the pump

To help prime the pump, keep the inlet or suction line as short as possible with a minimum of bends, elbows and kinks. Make sure all connections are tight and do not leak air. Make sure the line strainer is free of debris. If pump does not self-prime, disconnect suction hose, fill with water and reconnect to liquid source. Often a squirt of oil into the ports of the pump will seal clearances and help priming. Facing the pump, the suction port is on your left.



NOTE: Maximum Speed - 10 MPH
Refer to vehicle's manual for towing instructions

Operation

Always fill tank 1/2 full with water first and then add the chemical slowly, mixing as you pour the chemical into the tank and fill the rest of the way. You may use the bypass in order to mix the chemical and water.

The pumping system draws solution from the tank, through the strainer/filter and to the pump. The pump forces the solution under pressure to the handgun and/or boom nozzles.

- Activate the handgun by squeezing the handle lever
- Rotating the adjustable nozzle tip on the handgun will change the tip pattern from a straight stream to a cone pattern (fine mist)

This sprayer is designed to be towed behind a garden tractor. Check the nozzle pattern by spraying water on a concrete surface. When spraying with either the boom or the handgun, pressure may be reduced by slowly opening the bypass valve until desired pressure is achieved. Opening the valve decreases pressure, closing the valve increases pressure. When spraying with the boom, the proper method to set the pressure is to open the boom valve completely and if a lower pressure is desired, then slowly open the bypass valve until that pressure is obtained.

For the safest and most efficient chemical application, you will need to calibrate your sprayer using the tip and speed charts. Once you have determined the proper speed and pressure settings, you will need to consult your chemical label for the amount of chemical to be added to the tank. Read the entire label. Use only according to label directions.

Calibration

Chemical labels may show application rates in gallons per acre, gallons per 1000 square feet or gallons per 100 square feet. Refer to your manual for your boom.

Once you know how much you are going to spray, then determine (from the tip chart) the spraying pressure (PSI), and the spraying speed (MPH).

Determining the proper speed of the pulling vehicle can be done by marking off 100, 200 & 300 feet. The speed chart (next page) indicates the number of seconds it takes to travel the distances. Set the throttle and with a running start, travel the distances. Adjust the throttle until you travel the distances in the number of seconds indicated by the speed chart. Once you have reached the throttle setting needed, mark the throttle location so you can stop and go again, returning to the same speed.

Add water and proper amount of chemical to the tank and drive to the starting place for spraying.

Using the Boom Nozzles

Four things must be considered before spraying with the boom.

1. How much chemical must be mixed in the tank.
 2. Rate of spray (gallons per acre to be sprayed).
 3. What pressure (p.s.i.) will be used.
 4. Speed traveled (mph) while spraying.
- * Refer to the chemical label to determine your chemical mixture
 - * See the tip chart to determine the pressure to be used. The chart will also show the speed used when spraying.
 - * Start the pump and open the valve to the boom nozzles.
 - * Check the spray pattern. Usually you can see the coverage better on a solid concrete surface, such as a driveway.

Maintenance During/After Spraying

Periodically check the strainer and clean the screen on your intake line.

Proper care and maintenance will prolong the life of your sprayer.

After use, drain the tank and store or dispose of chemical properly. Fill the sprayer half way with clean water. Start the pump and allow the water to pump through the entire plumbing system and nozzles. Drain and then refill half full, add the recommended amount of a good quality tank cleaner, such as FIMCO Tank Neutralizer and Cleaner. (If no tank cleaner is available, you may substitute dish soap for this step, about 1-2 oz. per gallon). Turn pump on and circulate through system for 15 minutes and then spray out through boom and handgun nozzles. Refill sprayer half way with clean water and repeat. Follow the chemical manufacturer's disposal instructions of all wash or rinsing water.

If boom or handgun nozzles need cleaning, remove them from the sprayer and soak in warm soapy water. Wash these items out thoroughly. Blow the orifice clean and dry. If the orifice remains clogged, clean it with a fine bristle (NOT WIRE) brush or with a toothpick. Do not damage the orifice. Water rinse and dry the tips before storing.

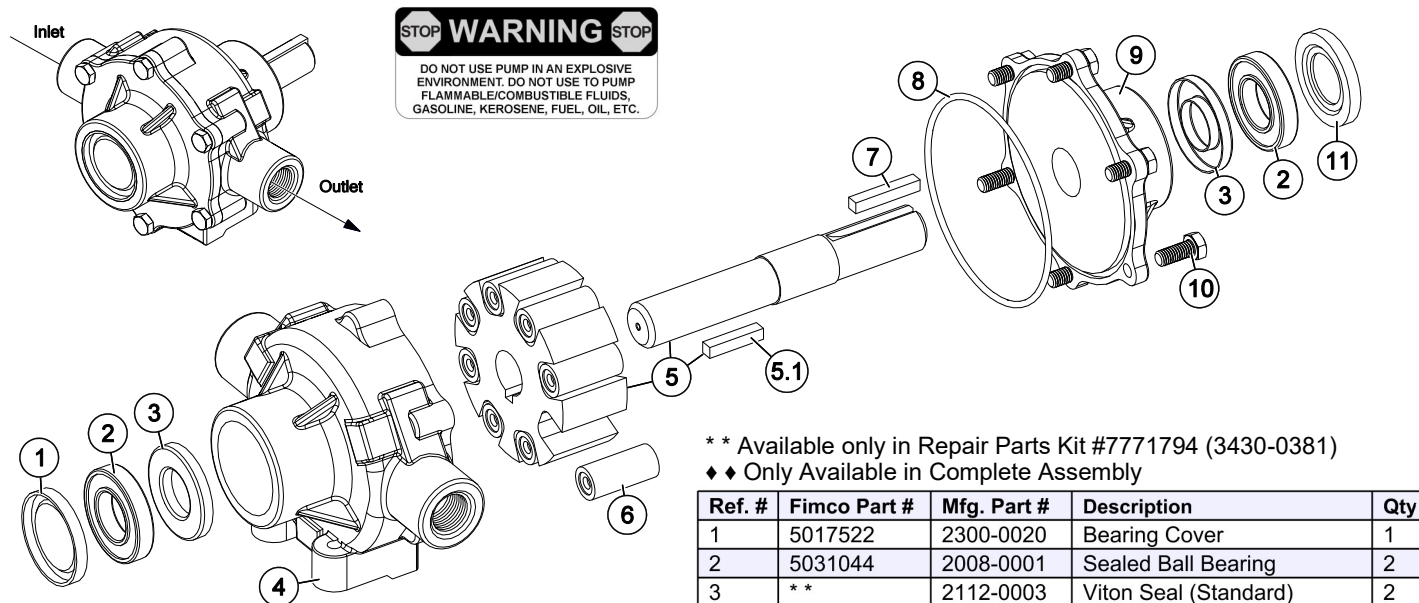
WARNING: Some chemicals will damage the pump valves if allowed to soak untreated for a length of time! ALWAYS flush the pump as instructed after each use. DO NOT allow chemicals to sit in the pump for extended times of idleness. Follow the chemical manufacturer's instructions on disposal of all waste water from the sprayer.

Winter Storage

Prepare the sprayer for end-of-season storage. Drain all water out of your sprayer, paying special attention to the pump, handgun and valve(s). These items are especially prone to damage from chemicals and freezing weather.

The sprayer should be winterized before storage by pumping a solution of automotive antifreeze (containing a rust inhibitor) through the entire plumbing system. Make sure to operate the boom and handgun until you see the antifreeze spraying from the nozzles. This antifreeze solution should remain in the plumbing system during the winter months. It is nearly impossible to drain all of the water from the sprayer and any trapped water can freeze in cold weather and damage parts of the sprayer. Pumping the antifreeze through the system will displace the water and help prevent this damage. When spring time comes and you are preparing your sprayer for the spray season, rinse the entire plumbing system out, clearing the lines of the antifreeze solution. Dispose of antifreeze and flush water properly. Proper care and maintenance will prolong the life of your sprayer.

Speed Chart			
Speed in M.P.H. (Miles Per Hour)	Time Required in seconds to travel a distance of		
	100 Ft.	200 Ft.	300 Ft.
1.0	68 sec.	136	205
2.0	34	68	102
3.0	23	45	68
4.0	17	34	51
5.0	14	27	41
6.0	11	23	34
7.0	9.7	19	29
8.0	8.5	17	26



**8-Roller Pump
Reverse Rotation-Silver Series
7560XL-R (Fimco #5273398)
Exploded View/Parts List**

** Available only in Repair Parts Kit #7771794 (3430-0381)
◆◆ Only Available in Complete Assembly

Ref. #	Fimco Part #	Mfg. Part #	Description	Qty
1	5017522	2300-0020	Bearing Cover	1
2	5031044	2008-0001	Sealed Ball Bearing	2
3	**	2112-0003	Viton Seal (Standard)	2
4	◆◆	0104-7500X	Body (SilverCast) w/Seal	1
5	3430-0745	3430-0745	Rotor w/Shaft Assembly	1
5.1	1610-0059	1610-0059	Key (Stainless Steel)	1
6	5112030	1005-0004	Super Roller (Standard)	8
7	5089012	1610-0005	Key	1
8	**	1720-0014	O-Ring Gasket for Endplate	1
9	◆◆	0204-7500X	Endplate (SilverCast) w/Seal	1
10	5034038	- - -	H.H.C.S. 5/16"-18nc x 3/4"	6
11	5017523	2300-0022	Shaft Bearing Cover	1

Roller Pump General Safety Information

1. Use a pressure relief device on the discharge side of the pump to prevent damage from pressure buildup when the pump discharge is blocked or otherwise closed and the power source is still running.
2. **WARNING:** Never pump flammable or explosive fluids such as gasoline, fuel oil, kerosene, etc. Never use in explosive atmospheres. The pump should be used only with liquids compatible with the pump component materials. Failure to follow this warning can result in personal injury and/or property damage and will void the product warranty.
3. Never pump acids (i.e. acid fertilizer) with Super Rollers!
4. Never run the pump faster than maximum recommended speed.
5. Never pump at pressures higher than the maximum recommended pressure.
6. Never pump liquids at temperatures higher than the recommended maximum temperatures (140°F/60°C).
7. Make certain that the power source conforms to the requirements of your equipment.
8. Provide adequate protection in guarding around the moving parts such as the shaft and pulleys.
9. Disconnect power before servicing.
10. Release all pressure within the system before servicing any component.
11. Drain all liquids from the system before servicing any component.
12. Check all hoses for weak or worn condition before each use. Make certain that all connections are tight and secure.
13. Periodically inspect the pump and the system components. Perform routine maintenance as required.
14. Never operate a gasoline engine in an enclosed area. Be sure the area is well ventilated.
15. Use only pipe, hose and fittings rated for the maximum psi rating of the pump.
16. Never use pump for pumping water or other liquids for human or animal consumption.

Roller Pump Operation & Maintenance

WARNING: Never pump corrosive or abrasive liquids as these will cause rapid wear or deterioration of the body, rotor, shaft and seals in the pump. The pump should be used on with liquids compatible with pump component materials. Never exceed maximum specified rpm and pressure. Never run pump dry. Failure to follow this warning will void the product warranty.

Priming the Pump:

To help prime the pump, keep the inlet or suction line as short as possible with a minimum of bends, elbows and kinks. Make sure all connections are tight and do not leak air. Make sure line strainer is free of debris. If pump does not self-prime, disconnect suction hose, fill with water and reconnect to liquid source. Often a squirt of oil into the ports of the pump will seal clearance and help priming.

Care of the Pump:

Proper care and maintenance will keep your pump wear at a minimum and will keep it running smoothly and trouble-free for a long time.

Flush the Pump After Each Use

One of the common causes of faulty pump performance is “gumming” or corrosion inside the pump. This prevents rollers from moving freely in their rotor slots. Flush the pump with a solution that will neutralize liquid pumped, mixed according to manufacturer’s directions.

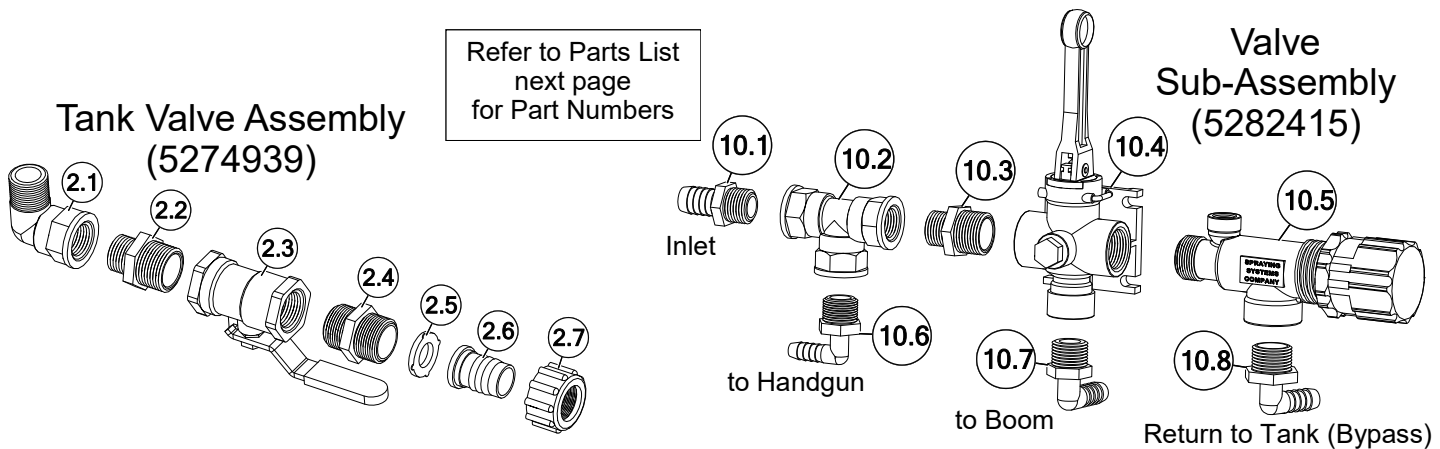
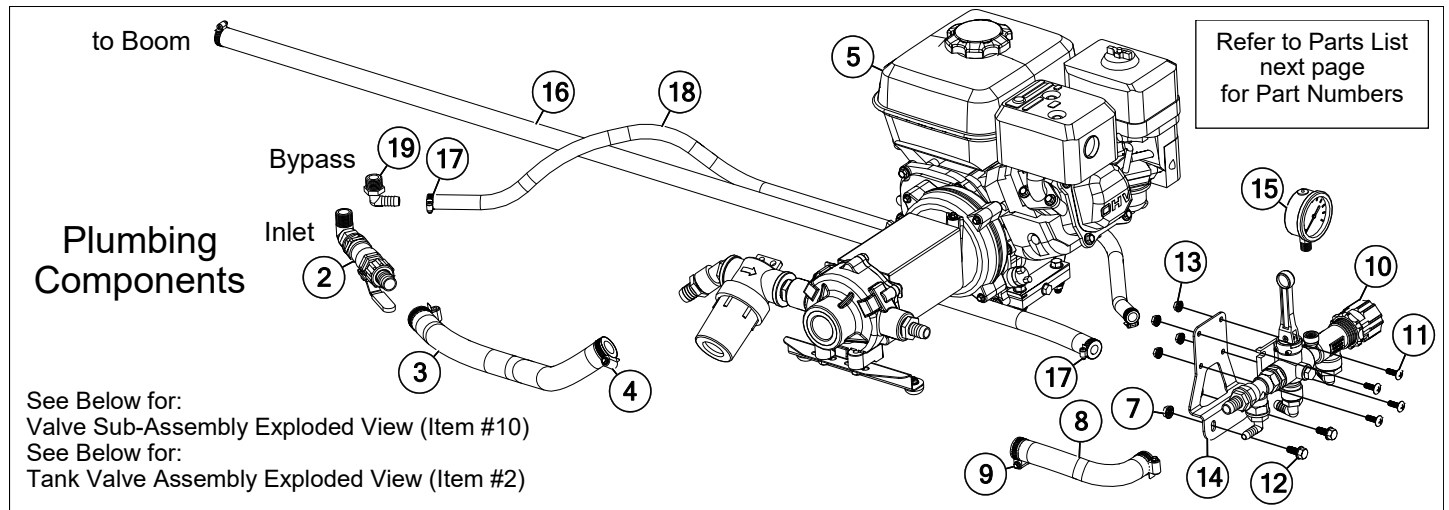
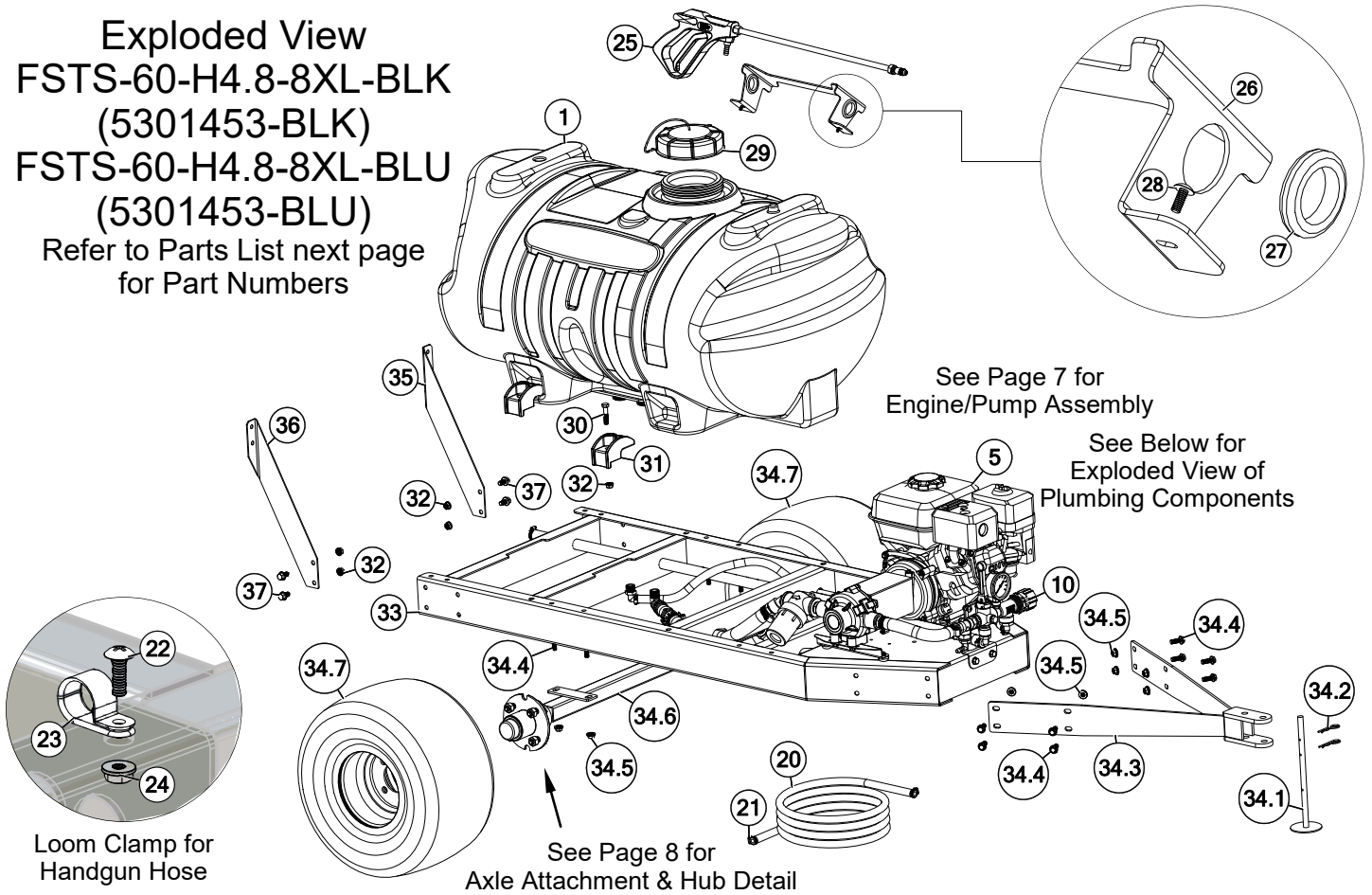
To Prevent Corrosion:

After cleaning pump as above, flush it with a 50-50 solution of permanent-type automotive antifreeze (containing a rust inhibitor) and water. A rust inhibitor can also be squirted into the ports of the pump. Turn shaft several times to draw protective liquid through pump and coat entire inner surface. Drain pump and plug ports to keep out air during storage. For short periods of idleness, noncorrosive liquids may be left in the pump, but air must be kept out. Plug ports or seal port connections.

Troubleshooting		
Symptom	Probable Cause(s)	Corrective Action
Pump Does Not Prime	Leak in suction line	Check hose and fittings for leaks and correct
	Obstruction in suction line	Inspect hose for debris or loose inner liner in hose
	Suction hose sucked to bottom or side of tank	Cut a notch or "V" in end of suction hose
	Rollers stuck in pump	Disassemble pump and inspect rollers
	Pump seals leaking air	Replace seals
Loss of Pressure	Clogged suction strainer	Check strainer and clean it regularly
	Kinked or blocked suction hose	Inspect suction hose and repair as necessary
	Air leak in inlet side plumbing	Check hose and connections for leaks Use pipe joint sealant and retighten connections
	Relief valve setting too low or weakened spring	Check relief valve and correct setting
	Faulty Gauge	Replace gauge
	Pump seals leak air	Replace seals
	Nozzle orifices worn	Replace nozzles
Pump worn	Repair pump	
Pump will not turn	Corrosion (rust), scale or residue	Loosen endplate bolts. Squirt oil into ports to help free rotor. Retighten bolts.
	Solid object lodged in pump.	Disassemble pump and remove objects

Exploded View
FSTS-60-H4.8-8XL-BLK
 (5301453-BLK)
FSTS-60-H4.8-8XL-BLU
 (5301453-BLU)

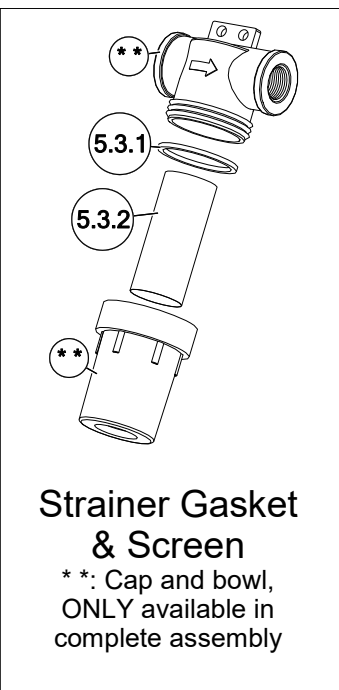
Refer to Parts List next page
 for Part Numbers



Parts List: FSTS-60-H4.8-8XL (5301453)

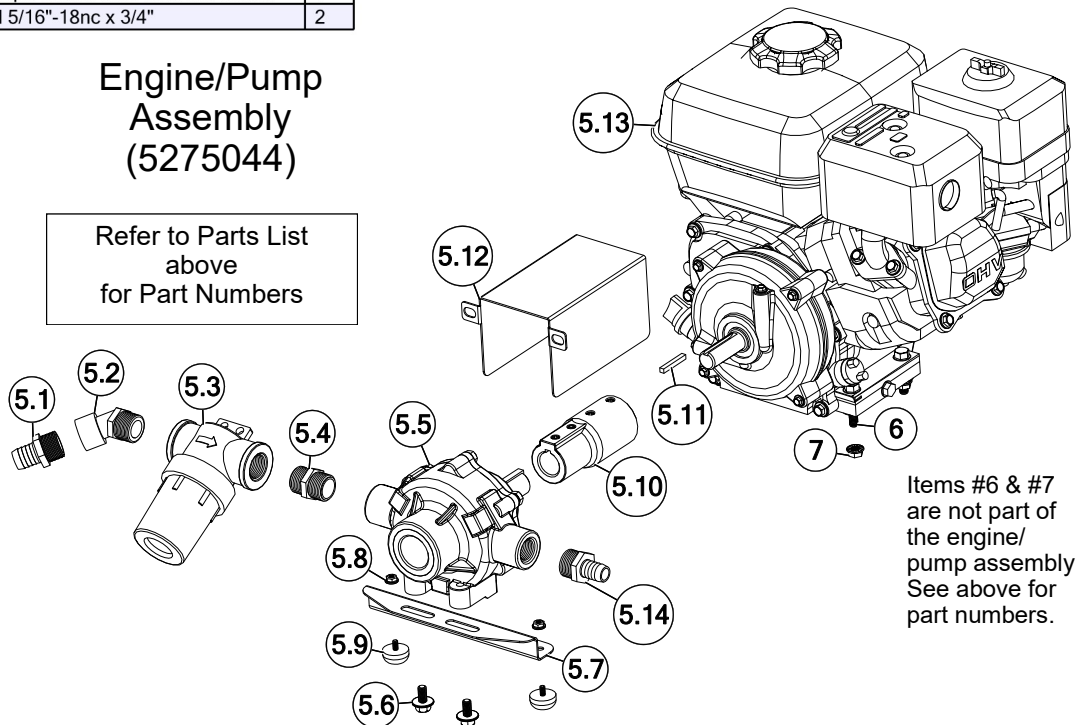
Ref. #	Part #	Description	Qty
1	5169250	60 Gallon Elliptical Tank (Yellow)	1
1.1	TF50DTN	1/2" Bulkhead Fitting Assembly	2
2	5274939	Tank Valve Assembly	1
2.1	5010243	Poly Street Elbow, (90 Deg) 1/2" MNPT x 1/2" FNPT	1
2.2	5011147	Poly Reducing Nipple, 3/4" MNPT x 1/2" MNPT	1
2.3	5143190	3/4" "T-800" Brass Ball Valve	1
2.4	5005196	Poly Adapter, 3/4" MNPT x 3/4" MGHT	1
2.5	5016066	1" Rubber Washer	1
2.6	5149037	Poly Swivel, 3/4" Flat Seat Hose Barb	1
2.7	5006209	Poly Knurled Swivel Nut, 3/4" FGHT	1
3	5020233	Hose, 3/4"-2 Brd. x 20"	1
4	5051024	Hose Clamp, 3/4"	2
5	5275044	Pump Assembly (FSTS-60-5.5H-8)	1
5.1	5067127	Poly Fitting, 3/4" MNPT x 3/4" HB	1
5.2	5010249	45 Degree Poly Street Elbow, 3/4" NPT	1
5.3	5116322	3/4" Black Poly Strainer	1
5.3.1	5072229	EPDM Gasket	1
5.3.2	5116323	40 Mesh Screen	1
5.4	5011140	Poly Close Nipple, 3/4" MNPT	1
5.5	5273398	Reverse Rotation 8-Roller Pump (Silver Series)	1
5.6	5034531	5/16"-18 x 5/8" Flange Lock Screw	2
5.7	5023052	Torque Bracket	1
5.8	5006186	#10-24 Serrated Flanged Hex Nut, Grade A	2
5.9	5040004	Rubber-Headed Machine Screw Bumper (#10-24)	2
5.10	5005177	Adapter & Kit (Coupler)	1
5.11	5089033	Key, 0.1875 x 0.1875 x 1.375 Long	1
5.12	5120044	Shield	1
5.13	5152080	Honda Engine, 160cc (OHV) (w/Gear Reduction)	1
5.14	5067126	Poly Fitting, 3/4" MNPT x 5/8" HB	1
6	5034638	H.H.C.S. Flanged 5/16"-18nc x 1 1/2"	4
7	5006307	5/16"-18nc Hex Flanged Whiz Nut Gr. 5	6
8	5020544	Hose, 5/8"-1 Brd. x 10"	1
9	5051023	Hose Clamp, 5/8"	2
10	5282415	Valve Assembly	1
10.1	5067132	Poly Fitting, 1/2" MNPT x 5/8" HB	1
10.2	5010230	Poly Tee, 1/2" FNPT	1
10.3	5011147	Poly Reducing Nipple, 3/4" MNPT x 1/2" MNPT	1
10.4	5143316	Directo-Valve (AA6B)	1
10.5	5143199	Pressure Relief Valve, (3/4" NPT)	1
10.6	5010202	Poly Elbow, 1/2" MNPT x 3/8" HB	1
10.7	5010203	Poly Elbow, 1/2" MNPT x 1/2" HB	1
10.8	5010207	Poly Elbow, 3/4" MNPT x 1/2" HB	1
11	5117287	1/4"-20 x 3/4" Phillips Truss Head Machine Screw	4
12	5117323	H.H.C.S. Flanged 5/16"-18nc x 3/4"	2

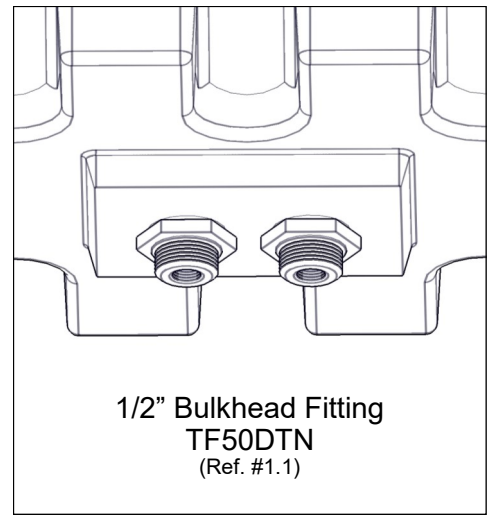
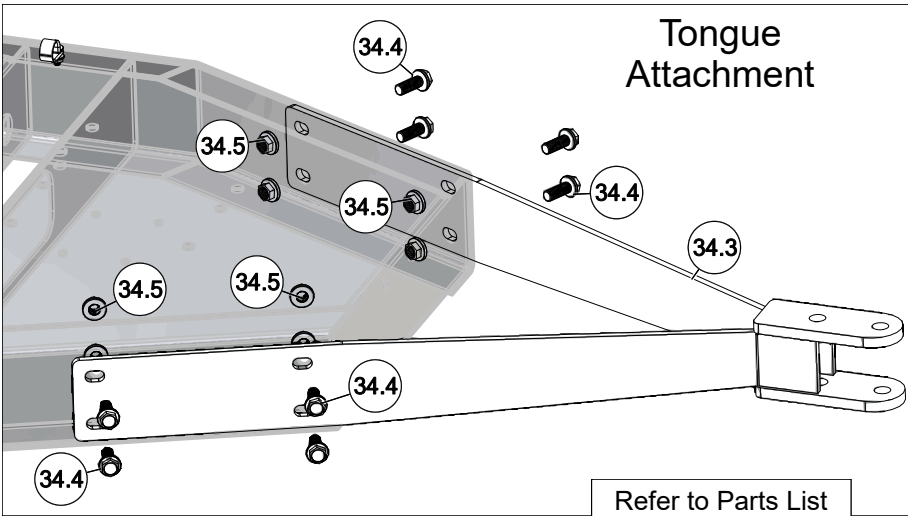
Ref. #	Part #	Description	Qty
13	5006306	1/4"-20nc Hex Flanged Whiz Nut Gr. 5	4
14	5095366	Manifold Mount	1
15	5167034	Gauge, Liquid-Filled, 0-400# p.s.i.	1
16	5020539	Hose, 1/2"-1 Brd. x 78"	1
17	5051114	Hose Clamp, 1/2"	4
18	5020595	Hose, 1/2"-1 Brd. x 51"	1
19	5010203	Poly Elbow, 1/2" MNPT x 1/2" HB	1
20	5020527	Hose, 3/8"-1 Brd. x 25 Ft.	1
21	5051144	Hose Clamp, 3/8"	2
22	5117167	#10-24 x 5/8" Phillips Truss Head Machine Screw	1
23	5051122	5/8" Black Nylon Loom Cable Clamp	1
24	5006186	#10-24 Serrated Flanged Hex Nut, Grade A	1
25	5273959	Deluxe Pistol-Grip Handgun w/X-26 Tip	1
25.1	5018331	Brass Handgun Tip (X-26)	1
26	5038775	Handgun Bracket	1
27	5075014	Rubber Grommet (Black)	2
28	5117234	#10-24 x 1/2" Phillips Truss Head Machine Screw	2
29	5058188	Tank Lid w/Lanyard	1
30	5034101	H.H.C.S., 3/8"-16 x 1 3/4"	4
31	5038698	Plastic Tank Hold-Down Leg Clip	4
32	5006259	3/8"-16nc Hex Flanged Whiz Nut Gr. 5	8
33	5278082	Skid Frame (60 Gal.) (Specify Black or Blue)	1
34	5301444	FSTK-60 Trailer Kit	1
34.1	5272092	Stand Weldment	1
34.2	5101065	Hair Pin, #211 x 2.50	2
34.3	5274957	Tongue Weldment (60 Gallon Skid)	1
34.4	5117307	3/8"-16 x 1" Whiz (Flange) Lockscrew	12
34.5	5006259	3/8"-16 Hex Whiz (Flange) Locknut	12
34.6	5274955	Axle & Hub Assembly	1
34.6.1	5274954	Axle Weldment (ATVTS-60)	1
34.6.2	5272465	Hub Assembly, 4-Bolt	2
34.6.2.1	5085018	Hub Assembly (4-Stud)	1
34.6.2.2	5072471	Grease Seal	1
34.6.2.3	5046327	Grease Cap	1
34.6.2.4	5031139	Cone Bearing	2
34.6.3	5006300	Castle Nut, 1"	2
34.6.4	5006301	1/2"-20 Hex Cone Wheel Nut	8
34.6.5	5101081	Cotter Pin, 5/32" x 2-1/4"	2
34.7	5272464	Wheel, 18 x 8.5 - 8 - 4-Bolt	2
35	5038831	Boom Mount Bracket (LH)	1
36	5038835	Boom Mount Bracket (RH)	1
37	5034660	H.H.C.S. Flanged 3/8"-16nc x 3/4"	4



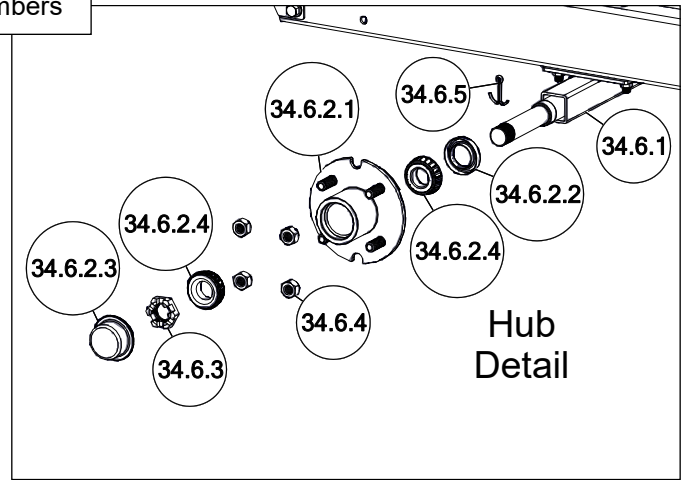
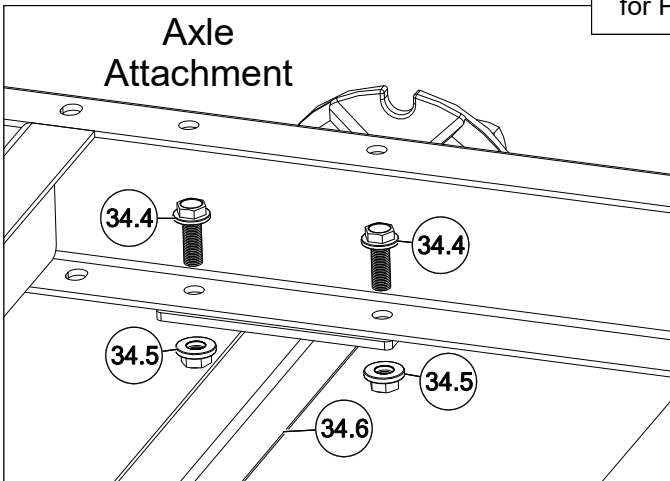
Engine/Pump Assembly (5275044)

Refer to Parts List above for Part Numbers



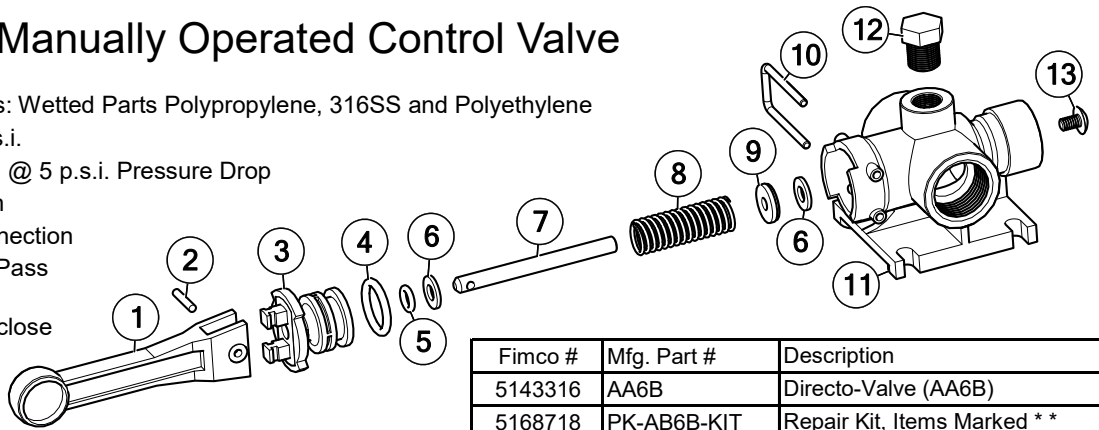


Refer to Parts List
previous page
for Part Numbers



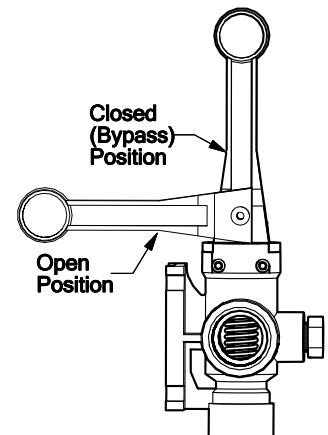
'Directo Valve' - Manually Operated Control Valve

- Corrosion Resistant Materials: Wetted Parts Polypropylene, 316SS and Polyethylene
- Maximum Pressure = 150 p.s.i.
- Large Capacity - 12.5 G.P.M. @ 5 p.s.i. Pressure Drop
- 3/4" NPT (F) Inlet Connection
- 1/2" NPT (F) Spray Line Connection
- 3/4" NPT (F) Continuous By-Pass Connection
- Valves may be connected w/close nipples for multiple section spray control



Fimco #	Mfg. Part #	Description
5143316	AA6B	Directo-Valve (AA6B)
5168718	PK-AB6B-KIT	Repair Kit, Items Marked * *

Ref. #	Part #	Mfg. Part #	Description	Qty
1	5078178	CP36301-NY	Handle (Gray)	1
2	5101220	CP36308-SS	Groove Pin	1
3	5086043	CP36302-PP	Poly Body Insert, (Black)	1
4	**	CP7717-2/209-VI	O-Ring, Viton	1
5	**	CP7717-2/108-VI	O-Ring, Viton	1
6	◆◆	CP36307-PPB	Washer	2
7	◆◆	CP36304-SS	Stem	1
8	◆◆	CP36306-302SS	Spring	1
9	**	CP38726-VI	Shut-Off Washer, Viton	1
10	◆◆	CP36309-302SS	Retaining Clip	1
11	5002476	CP36303-PP	Poly Body (AA6B)	1
12	5102022	F14	Pipe Plug, 1/4" MNPT	1
13	5117281	CP38725-SS	#10-24 x 5/16" Phillips Truss Head Mach. Screw	1



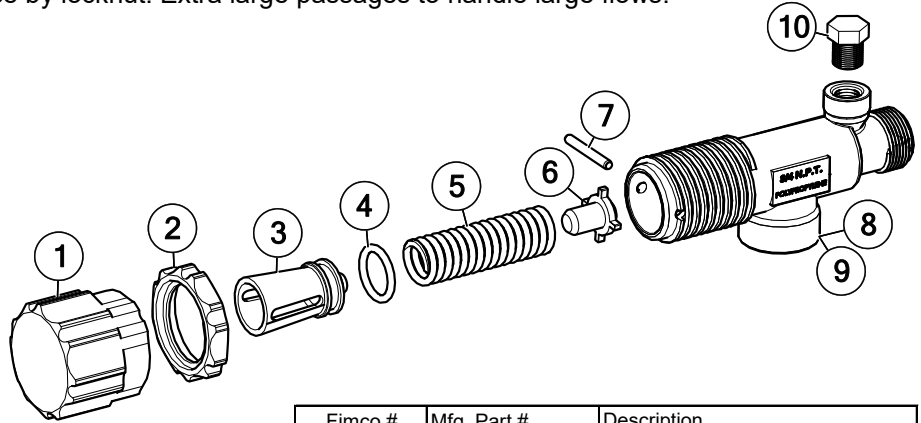
* * Available only in Repair Kit

◆◆ Only Available in Complete Assembly

Piston Type Pressure Relief/Regulating Valves

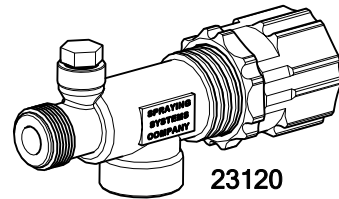
Bypasses excess fluid. Adjustable to maintain control of line pressure at any pressure within the valve operating range. Selected pressure setting firmly held in place by locknut. Extra large passages to handle large flows.

- Polypropylene with stainless steel spring
- Excellent chemical resistance
- EPDM O-Rings
- Fore pressure to 150 p.s.i.
- 1/4" port for pressure gauge
- Choice of 1/2" or 3/4" NPT (M) inlet & (F) outlet connections



Ref. #	Part #	Mfg. Part #	Description	Qty
1	5046270	CP23122-NY	Adjusting Cap, Nylon (Gray)	1
2	5110266	CP23123-PP	Lock Ring	1
3	◆◆	CP23124-PP	Spring Retainer	1
4	**	CP7717-15-EPR	O-Ring, EPDM Rubber	1
5	**	CP23127-302SS	Spring	1
6	◆◆	CP23125-PP	Guide Seat	1
7	**	CP23126-302SS	Retaining Pin	1
8	CP23121-PP	CP23121-PP	Poly Body (3/4" NPT)	1
9	CP23128-PP	CP23128-PP	Poly Body (1/2" NPT)	1
10	5102022	F14	Pipe Plug, 1/4" MNPT	1

Fimco #	Mfg. Part #	Description
5143199	23120-3/4-PP	Pressure Relief Valve (3/4" NPT)
5143200	23120-1/2-PP	Pressure Relief Valve (1/2" NPT)
5168717	PK-AB23120-KIT	Repair Kit, Items Marked **



** Available only in Repair Kit ◆◆ Only Available in Complete Assembly

NOTES:

Warranty Info

LIMITED WARRANTY FOR NEW AG SPRAY EQUIPMENT

WHO MAY USE THIS LIMITED WARRANTY. This limited warranty (the "Limited Warranty") is provided by Ag Spray Equipment to the original purchaser ("you") of the Equipment (as defined below) from Ag Spray Equipment or one of Ag Spray Equipment's authorized dealers. This Limited Warranty does not apply to any subsequent owner or other transferee of the Equipment. THIS LIMITED WARRANTY GIVES YOU SPECIFIC LEGAL RIGHTS, AND YOU MAY ALSO HAVE OTHER RIGHTS WHICH VARY FROM STATE TO STATE.

WHAT THIS LIMITED WARRANTY COVERS AND FOR HOW LONG. Ag Spray Equipment warrants that any new Equipment will be free from defects in material and workmanship for a period of **one (1) year** (homeowner), **90 days** (commercial user), after delivery of the Equipment to you (the "Warranty Period"). The Warranty Period is not extended if Ag Spray Equipment repairs or replaces the Equipment.

WHAT IS NOT COVERED BY THIS LIMITED WARRANTY. This Limited Warranty does not apply to: (1) used Equipment; (2) any Equipment that has been altered, changed, repaired or treated since its delivery to you, other than by Ag Spray Equipment or its authorized dealers; (3) damage or depreciation due to normal wear and tear; (4) defects or damage due to failure to follow Ag Spray Equipment's operator's manual, specifications or other written instructions, or improper storage, operation, maintenance, application or installation of parts; (5) defects or damage due to misuse, accident or neglect, "acts of God" or other events beyond Ag Spray Equipment's reasonable control; (6) accessories, attachments, tools or parts that were not manufactured by Ag Spray Equipment, whether or not sold or operated with the Equipment; or (7) rubber parts, such as tires, hoses and grommets.

HOW TO OBTAIN WARRANTY SERVICE. To obtain warranty service under this Limited Warranty, you must (1) provide written notice to Ag Spray Equipment of the defect during the Warranty Period and within **thirty (30)** days after the defect becomes apparent or the repair becomes necessary, at the following address: Ag Spray Equipment, 1000 Fimco Lane, North Sioux City, SD 57049; and (2) make the Equipment available to Ag Spray Equipment or an authorized dealer within a reasonable period of time. For more information about this Limited Warranty, please call: **800-274-1025** or your local Ag Spray location.

WHAT REMEDIES ARE AVAILABLE UNDER THIS LIMITED WARRANTY. If the conditions set forth above are fulfilled and the Equipment or any part thereof is found to be defective, Ag Spray Equipment shall, at its own cost, and at its option, either repair or replace the defective Equipment or part. Ag Spray Equipment will pay for shipping and handling fees to return the repaired or replacement Equipment or part to you.

LIMITATION OF IMPLIED WARRANTIES AND OTHER REMEDIES. THE REMEDIES DESCRIBED ABOVE ARE YOUR SOLE AND EXCLUSIVE REMEDIES, AND AG SPRAY EQUIPMENT'S SOLE LIABILITY, FOR ANY BREACH OF THIS LIMITED WARRANTY. TO THE EXTENT APPLICABLE, ANY IMPLIED WARRANTIES, INCLUDING, WITHOUT LIMITATION, THE IMPLIED WARRANTIES OF MERCHANTABILITY AND FITNESS FOR A PARTICULAR PURPOSE, SHALL BE LIMITED IN DURATION TO THE WARRANTY PERIOD, AND THE REMEDIES AVAILABLE FOR BREACH THEREOF SHALL BE LIMITED TO THE REMEDIES AVAILABLE UNDER THIS EXPRESS LIMITED WARRANTY. SOME STATES DO NOT ALLOW LIMITATIONS ON HOW LONG AN IMPLIED WARRANTY LASTS, SO THE ABOVE LIMITATION MAY NOT APPLY TO YOU. IN NO EVENT SHALL AG SPRAY EQUIPMENT'S LIABILITY UNDER THIS LIMITED WARRANTY EXCEED THE ACTUAL AMOUNT PAID BY YOU FOR THE DEFECTIVE EQUIPMENT, NOR SHALL AG SPRAY EQUIPMENT BE LIABLE, UNDER ANY CIRCUMSTANCES, FOR ANY CONSEQUENTIAL, INCIDENTAL, SPECIAL OR PUNITIVE DAMAGES OR LOSSES, WHETHER DIRECT OR INDIRECT. SOME STATES DO NOT ALLOW THE EXCLUSION OR LIMITATION OF INCIDENTAL OR CONSEQUENTIAL DAMAGES, SO THE ABOVE LIMITATION OR EXCLUSION MAY NOT APPLY TO YOU.